

# Specification

1.1 Product Type: GPS/GSM

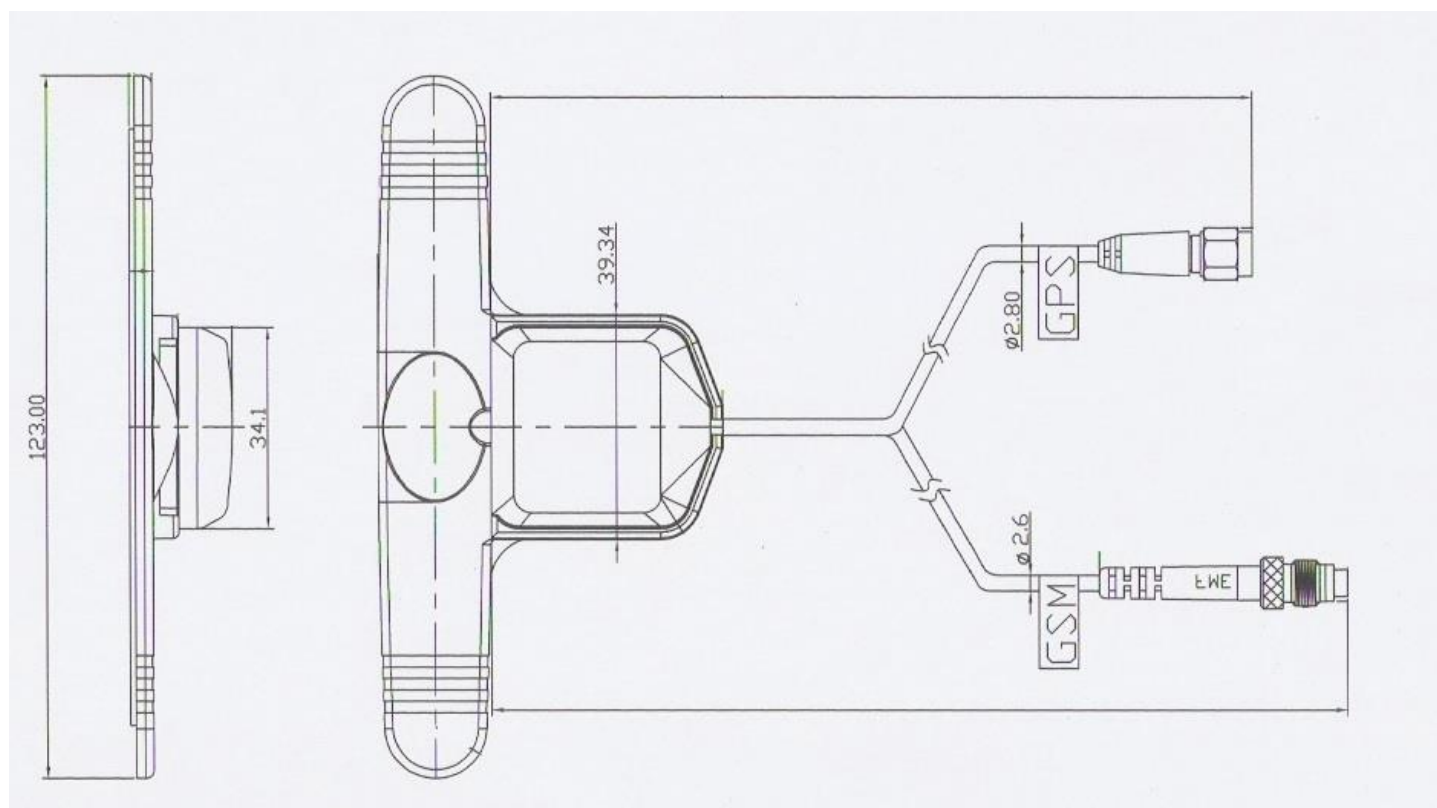
Combined Antenna

1.2 Product's No: T29 Series

1.3 Product's Photo:



## 2.1 Technical Drawing:



## Mechanical Properties

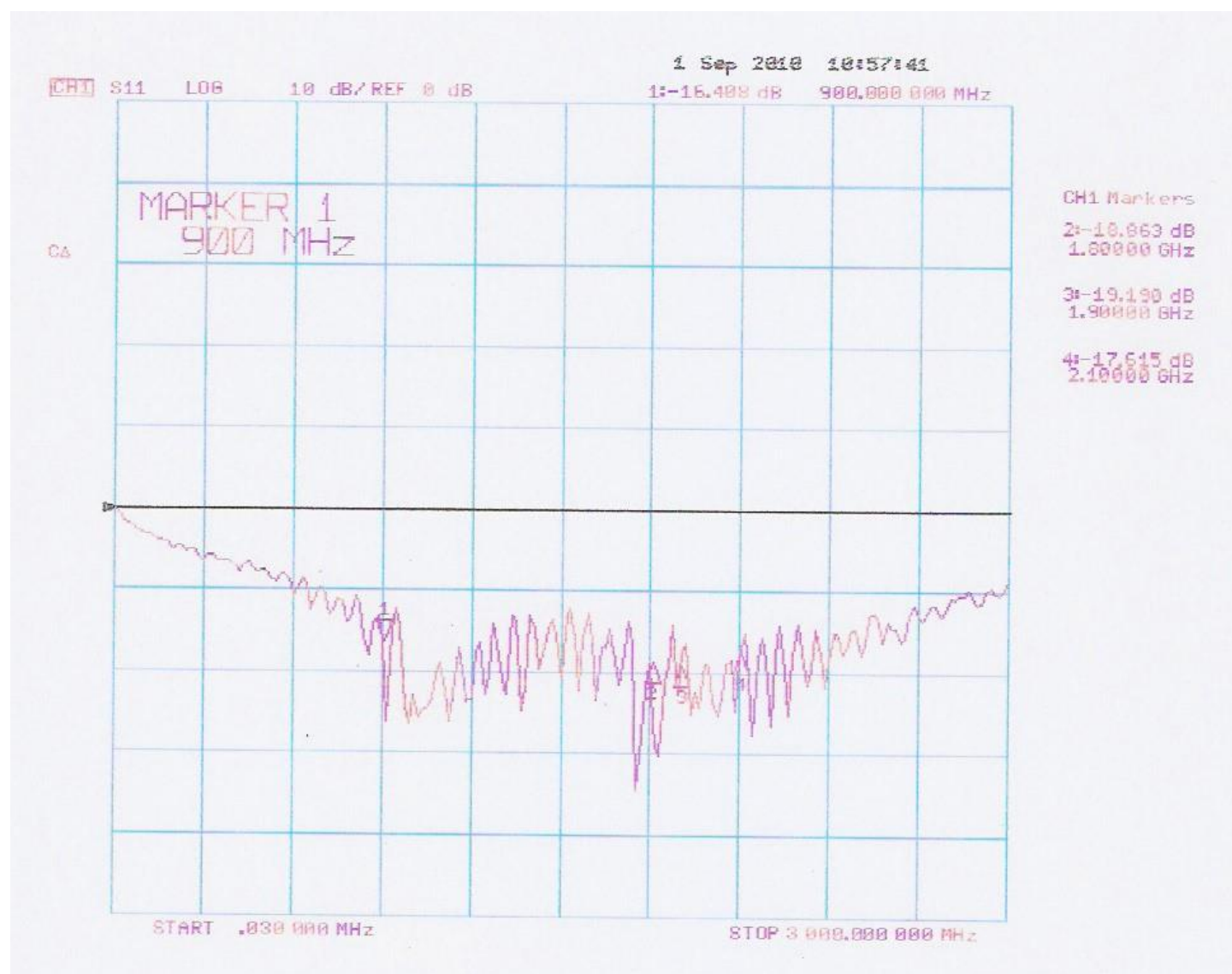
<b>Parameter</b>	<b>Description</b>
Antenna type	GSM/GPS Antenna
Cable	RG174-Black
Cable OD	$\varnothing 2.6 \pm 0.1 \text{mm}$
Connector for GPS	SMA M (Gold)
Connector for GSM	FME F



## GSM Antenna

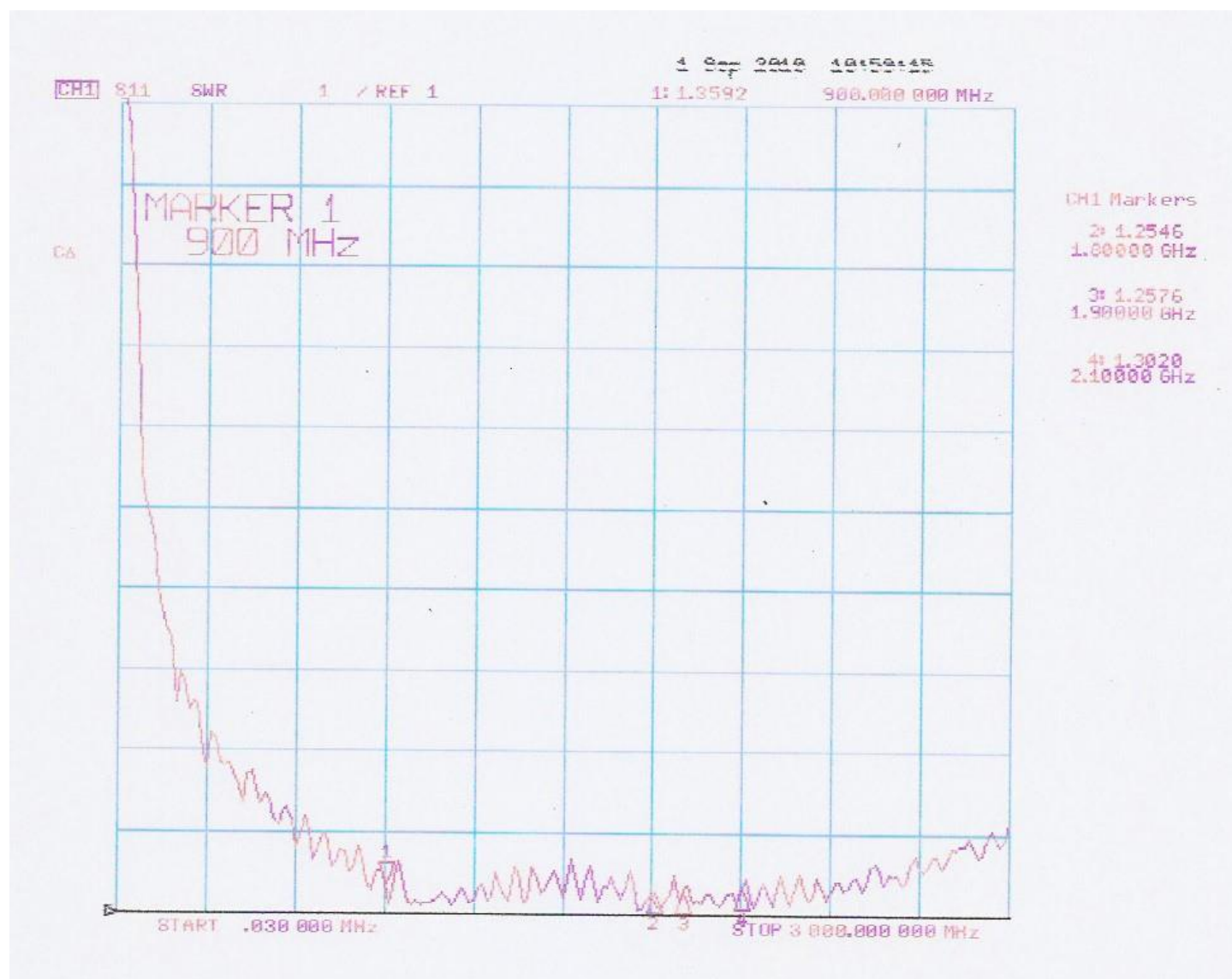
Frequency	900/1800/1900/2100 MHz
Impedance	50 $\Omega$
Gain	2.5 dBi
VSWR	2.0 max
Noise Figure	1.5 max
Attenuation	20Db min F0 $\pm$ 50MHz
Bandwidth	10 MHz

# Return Loss



Frequency	1000 MHz	1900 MHz	2100 MHz
Return Loss	-10.86 dB	-19.19 dB	-17.61 dB

# V.S.W.R



Frequency	1000 MHz	1900 MHz	2100 MHz
V.S.W.R	1.25	1.25	1.30

# GPS Antenna

Frequency	1575.42 MHz
Impedance	50 $\Omega$
Gain	30 dBi

## Return Loss

