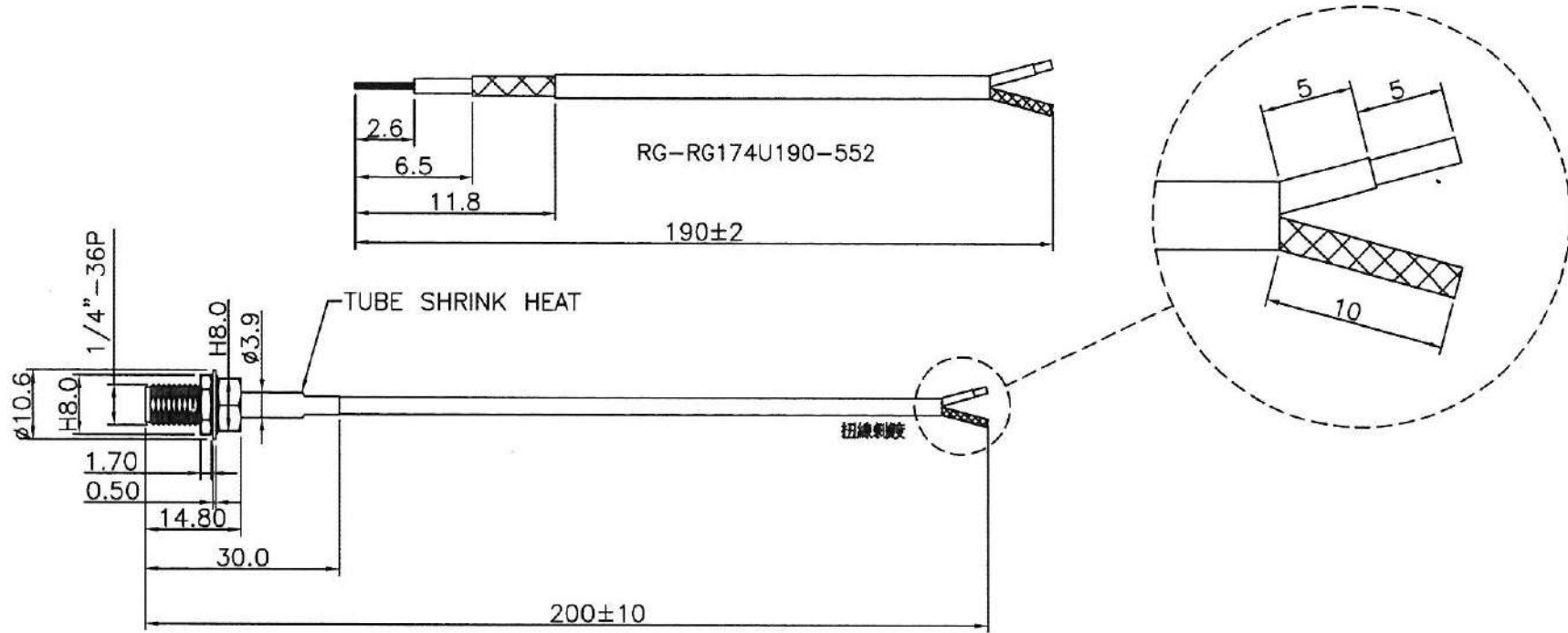


Cable	RG174/U
OD	ø2.7±0.15mm
Cover	Black
SMA F (BH)	GOLD



Material:		Treatment:		竣茂工業有限公司 Chinmore Industry CO .LTD			
Drawer	Design	Aprov	Tolerance	Unit: mm		TITLE	SMA F (BH)+RG174/U(零件製成)
			X=±0.5	Ver: A	Scale 1:1	Model NO	
			X=±0.2	File NO: QR0402	Drawing NO	100-23005-0218	
			XX=±0.1				
			XXX=±0.05				

NO	DESCRIPTION	MATERIAL	FINISH	Q'TY
Part NO	EG-SMAFRG174-2466			