



CHINMORE INDUSTRY CO.,LTD

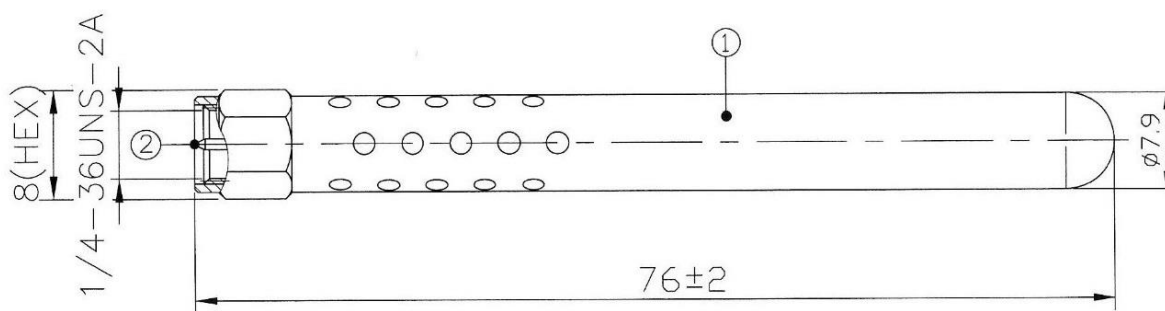
Specification

1. Product Type: 915MHz Rubber Stubby Antenna
2. Chinmore's No: EM-W198CANT0-447
3. Frequency: 915 MHz
4. VSWR: 2.0:1
5. Connector: SMA (M) ST

✧RoHS Compliant

✧ISO 9001 & ISO 14001

NO.	NAME	FINISH	Q, TY
01	Core tube	Black	01
02	SMA 180° (Male)	Golden plating	01

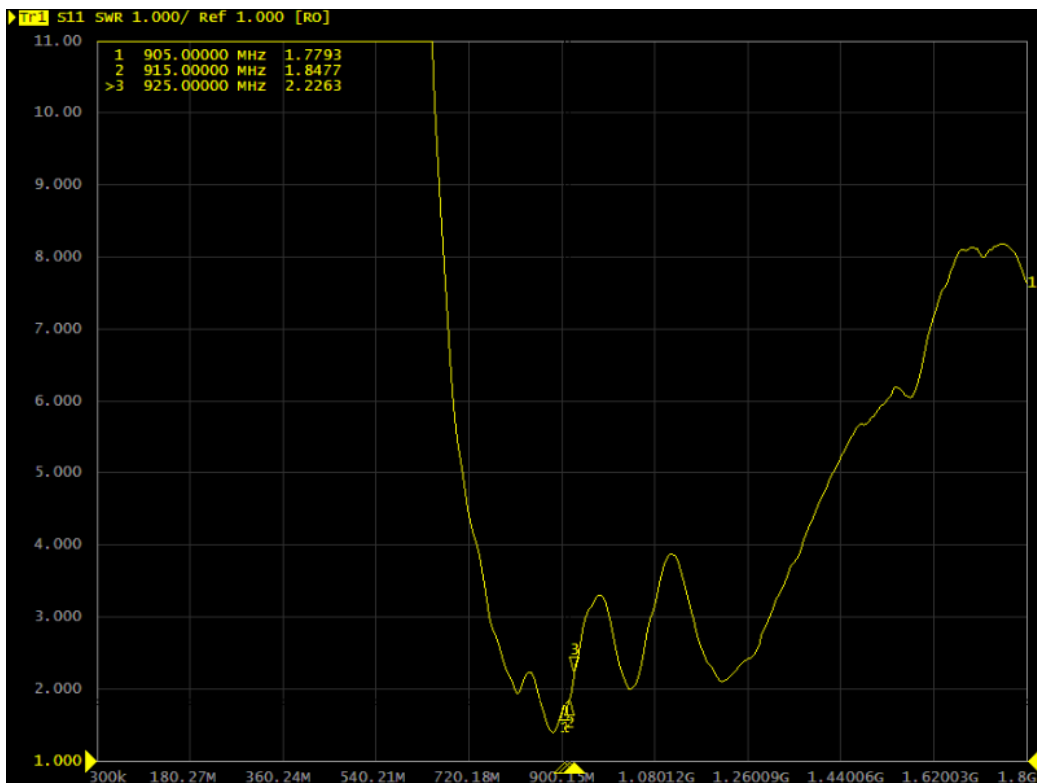
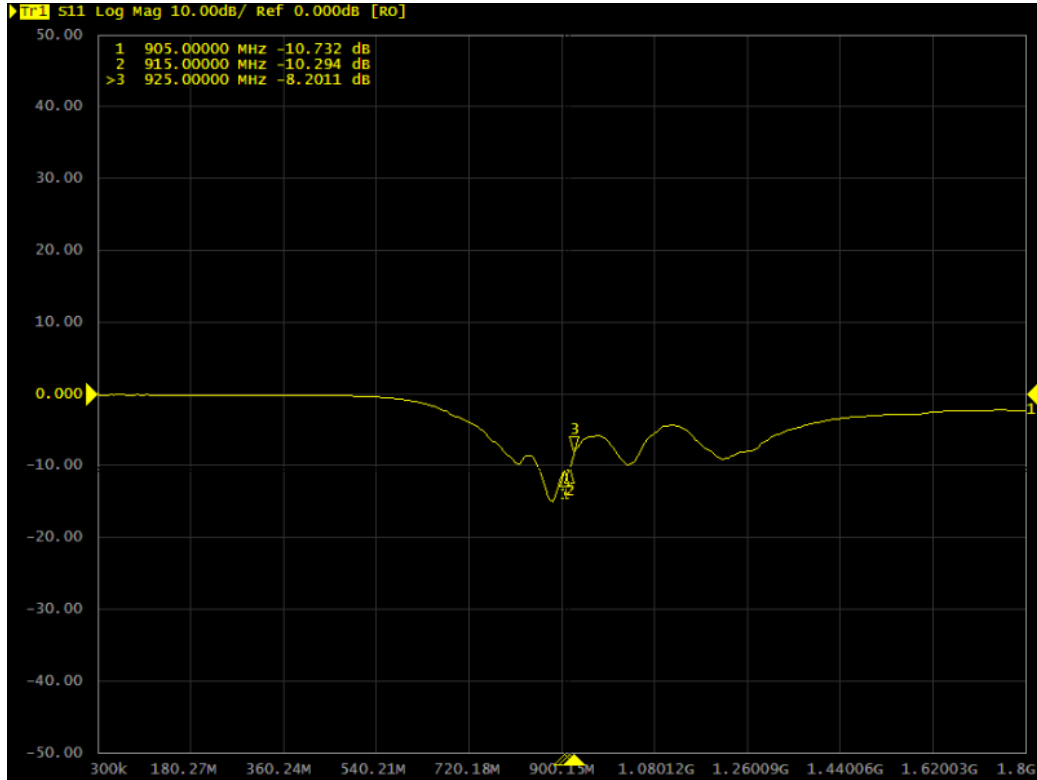


EM-W198CANT0-447

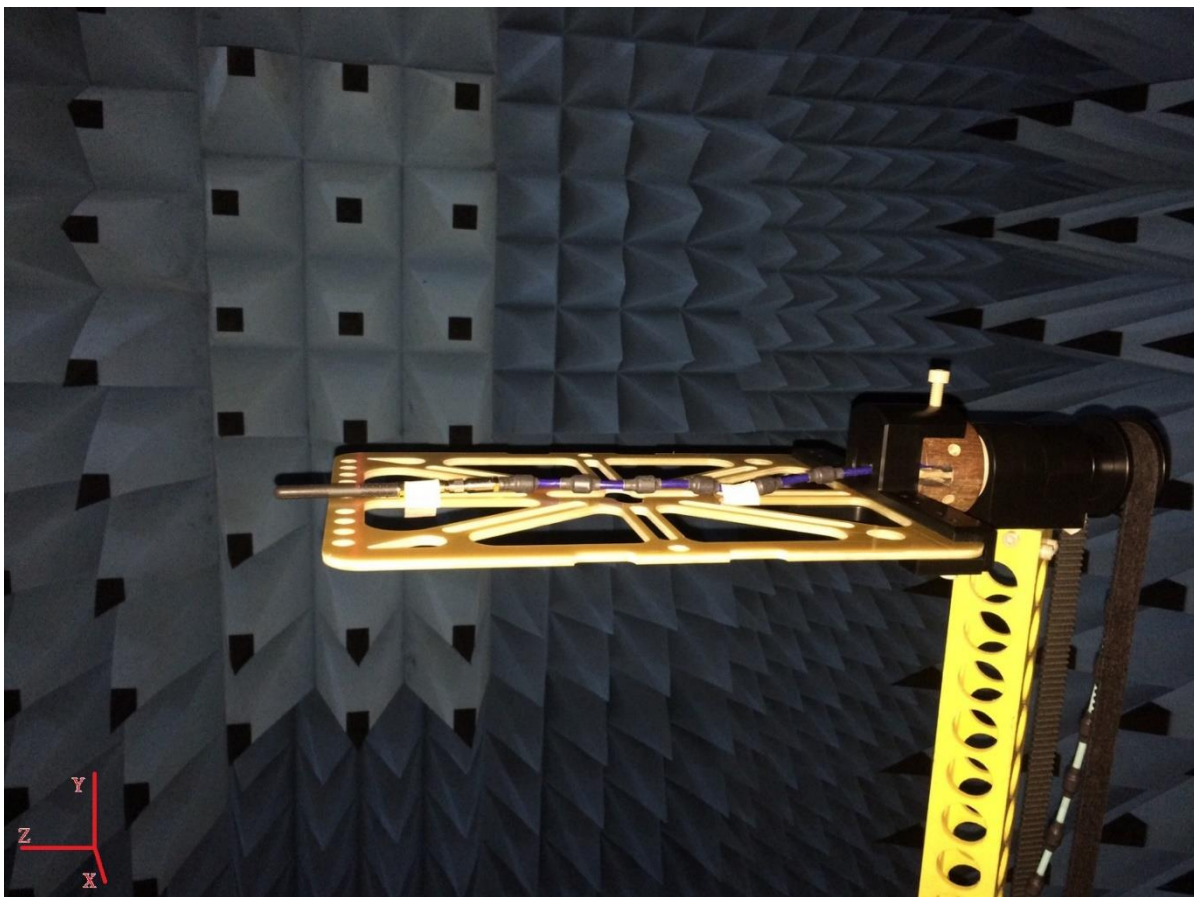
 Third angle projection	CUSTOMER'S	MODEL	PARTS NUMBER	FREQUENCY	UNIT	SCALE	DATE	VERSION
	峻茂工業有限公司 TOLERANCE: X.XX±0.15 SURFACE ROUGHNESS: S 			NAME	915MHz	M/M		20100222
			APPEARANCE	EA-198C	 陸俊帆	CHECKED	 陸俊帆	DESIGNED

Frequency (MHz)	Return Loss (dB)	VSWR	Efficiency (%)	Gain (dBi)
905	-10.73	1.77	13.68	-4.52
915	-10.29	1.84	13.24	-4.58
925	-8.20	2.22	15.07	-3.91

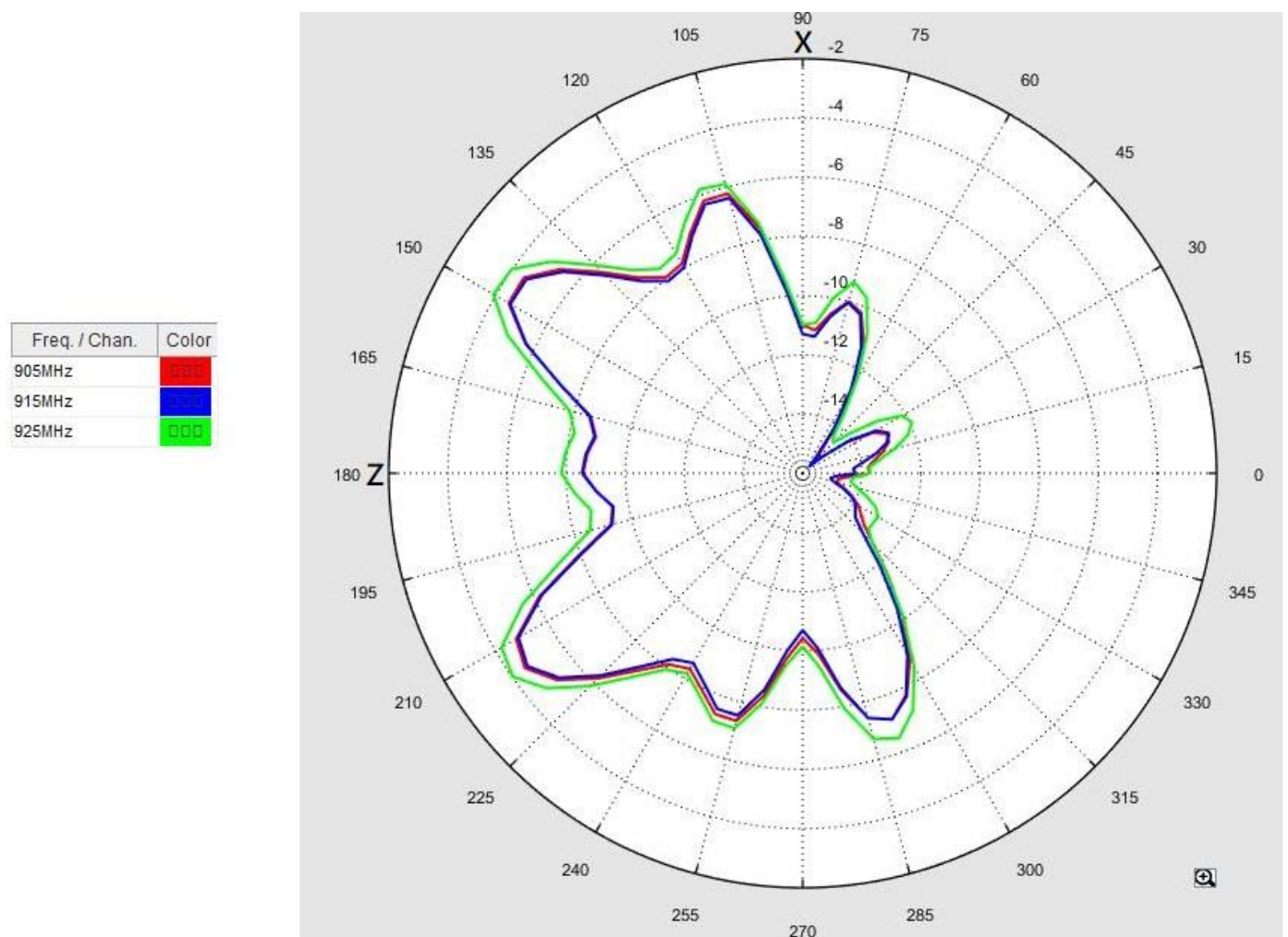
Test Report(Return Loss &VSWR)



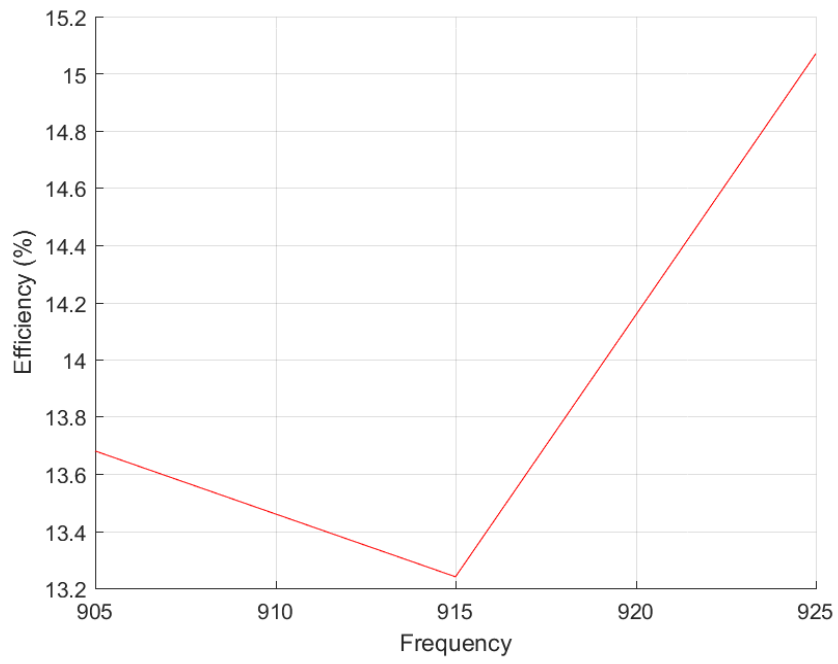
3D Test Photo



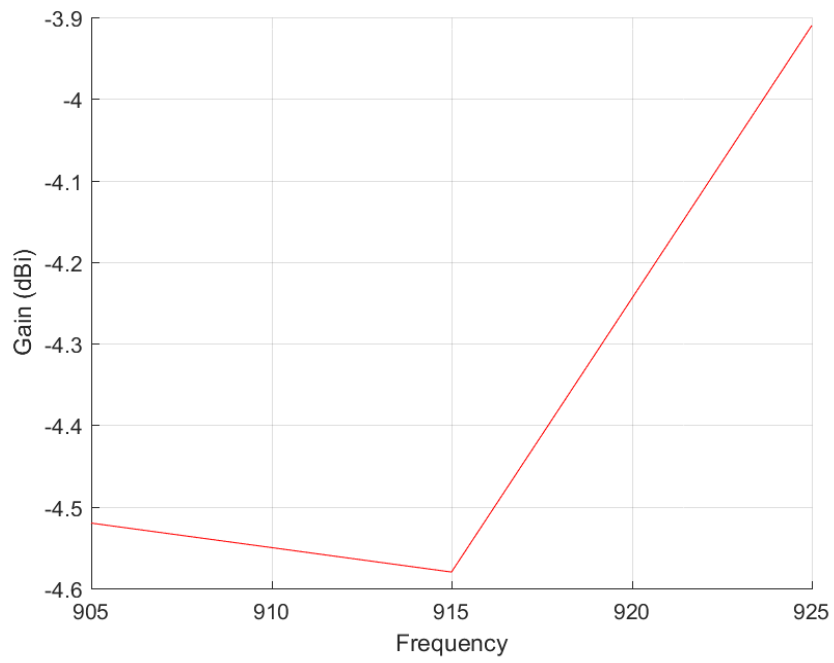
3D Test Data



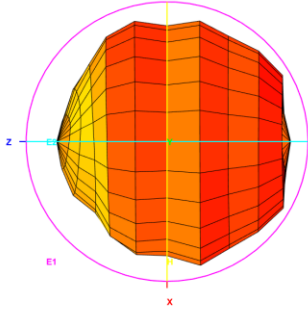
Total_Efficiency (%)



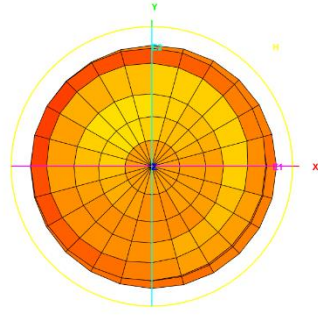
Total_Gain (dBi)



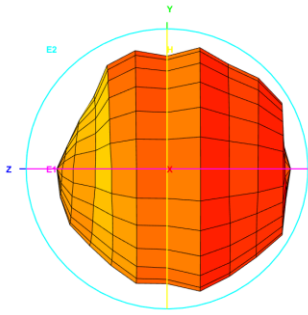
Total_3D_Top View_905MHz



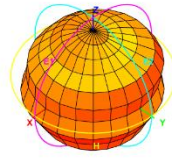
Total_3D_Front View_905MHz



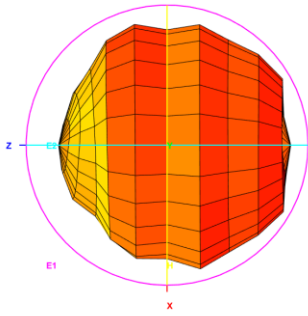
Total_3D_Left View_905MHz



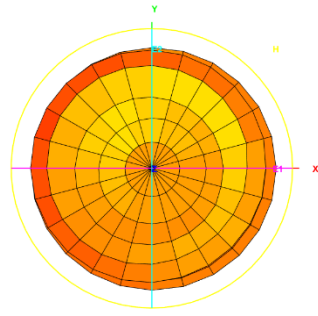
Total_3D_Side View 1_905MHz



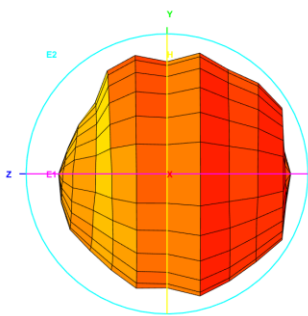
Total_3D_Top View_915MHz



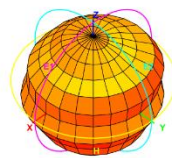
Total_3D_Front View_915MHz



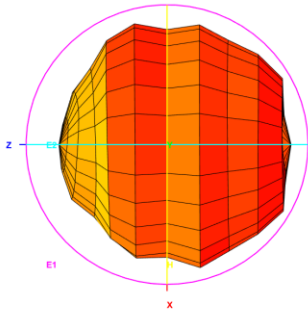
Total_3D_Left View_915MHz



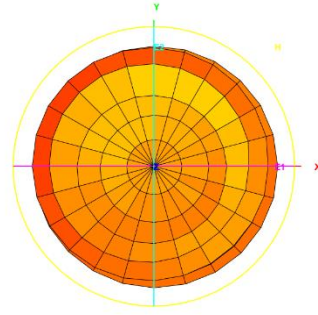
Total_3D_Side View 1_915MHz



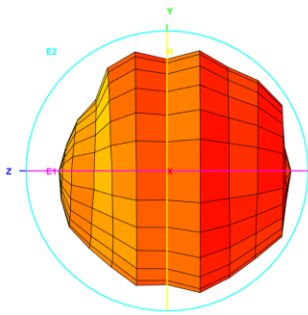
Total_3D_Top View_925MHz



Total_3D_Front View_925MHz



Total_3D_Left View_925MHz



Total_3D_Side View 1_925MHz

