

# Specification

1.1 Product Type: 433 / 868 MHz

Adhesive Antenna

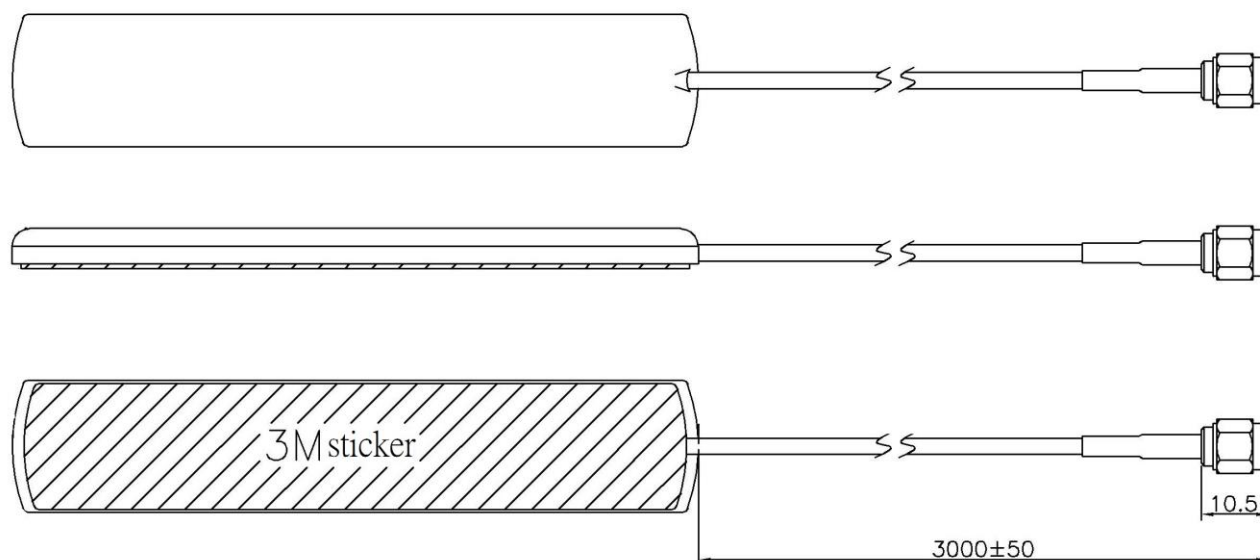
1.2 Product's No: C09-16

With Cable RG174 Low loss 3M  
SMA M

1.3 Product's Photo:



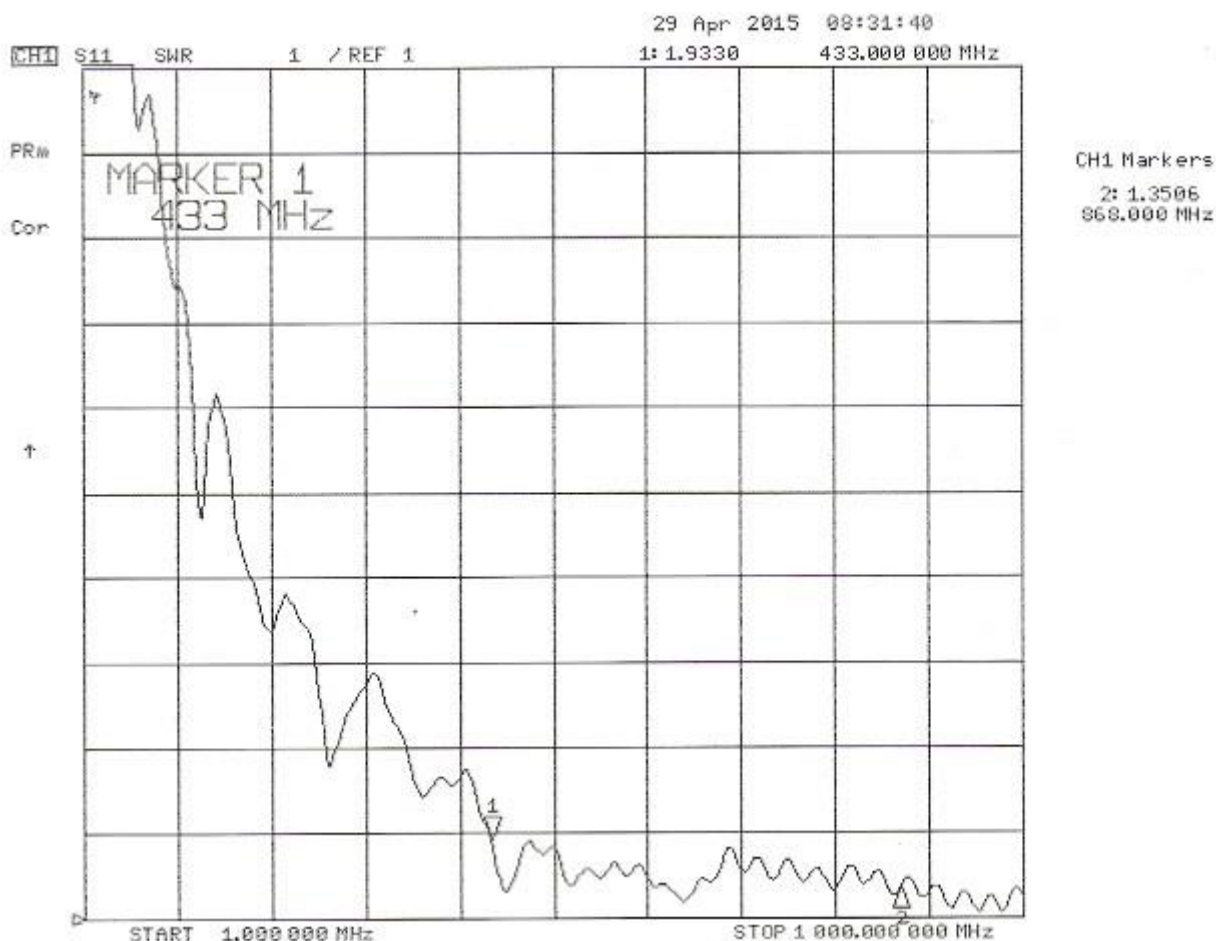
## 2.1 Technical Drawing:



Frequency	433 / 868 MHz
Nominal Impedance	$50 \Omega$
V.S.W.R	2.0:1
Cable type	RG174 Low Loss
Connector	SMA M
Dimension	115 mm
Color	Black
Sticker	3M - RED

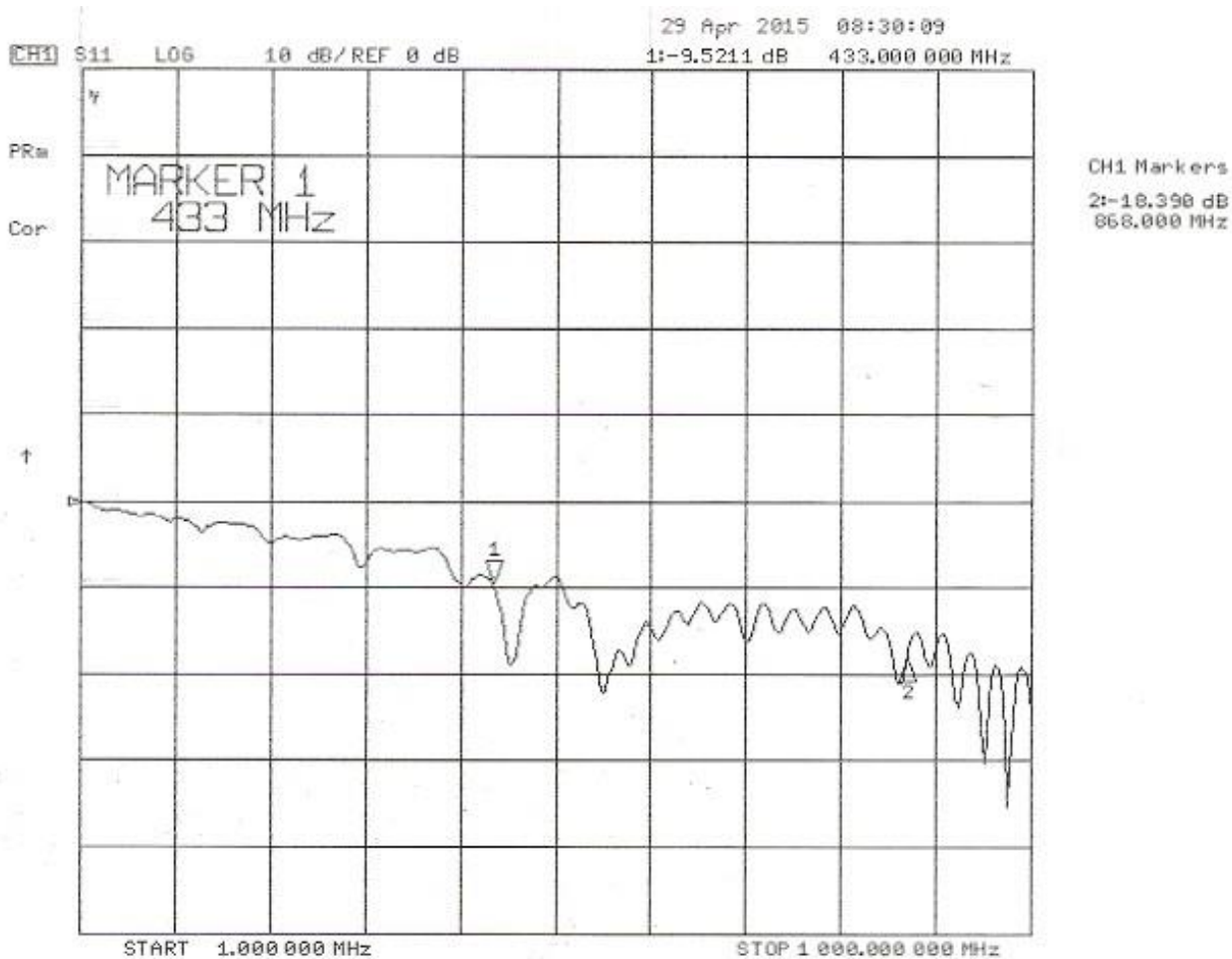
# 3.1 Test Report:

## VSWR



Frequency	<b>433 MHz</b>	<b>868 MHz</b>
VSWR	1.93	1.35

# Return Loss



Frequency	<b>433 MHz</b>	<b>868 MHz</b>
Return Loss	<b>-9.52 dBi</b>	<b>-18.39 dBi</b>